

SC-8500 Video Phone (6.4"LCD)



Overview

SC-8500 is a Standalone videoconferencing product with 6.4" TFT-LCD display. Which enable users to communicate face-to-face via Internet. Video Phone demand is growing after 911 and SARS. The Businessman intends to communicate via Video Conferencing for security, cost & efficiency consideration instead of long distance trip.

Other advantages include: **1. Video Conferencing with clients, partners:** To establish closer relationships. Well timing discussion with team members and decision-making.

2. Families / friends chatting: Face-to-face contact to see facial expression, gesture vividly

3. Remote Surveillance function: Monitoring houses or offices by connecting 2-3 external cameras.

4. Sign Language (S L) Interpretation: To provide Deaf-mute community efficient service

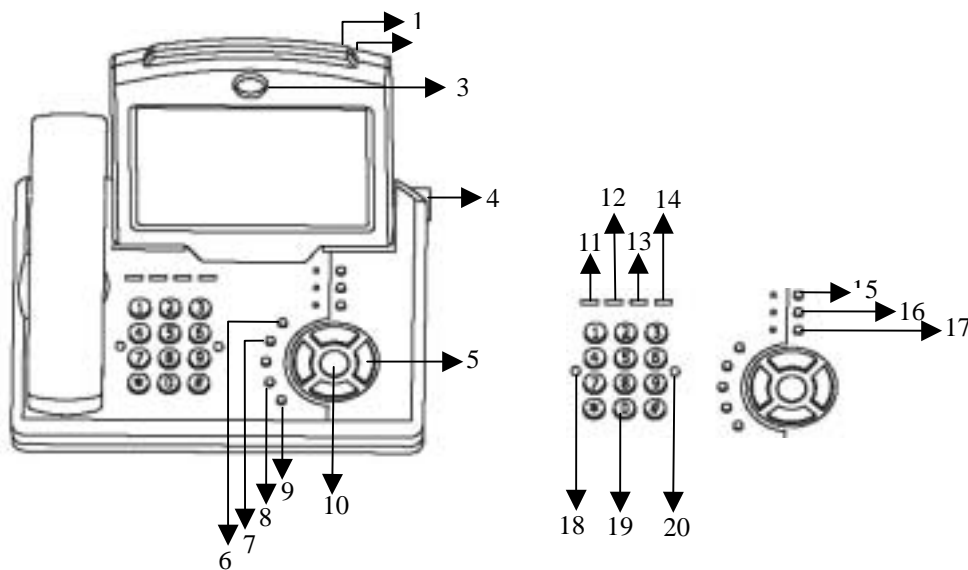
5. Distance Learning Convenience: To practice from home or from any location

6. More Efficient teamwork coordination & cooperation:

Feature of SC-8500 Video Phone

- Standard: ITU H.323v2.
- Video Standard: H.263+
- Audio Standard: G.711, G.723.1
- Display Screen: 6.4" TFT-LCD
- Frame Rate: Up to 30 fps.
- Bandwidth support: 128K.,256K,384K,512K,768Kbps.
- Compatible with ADSL/ Cable Modem, LAN,IP-VPN.
- Auto-answer Mode.
- Compatible with Multipoint control Unit (MCU).
- Compatible with Microsoft NetMeeting.
- Able to connect up to 2 External Camera

Front panel Introduction



1. Adjust LCD Color:

Adjust LCD color with the knob

2. Adjust LCD Brightness:

Adjust LCD Brightness with the knob

3. CCD Camera:

High quality Camera to capture video.

4. LED indicator:

Red-power is on; Green-the RJ-45 connector is well

5.Setup:

Functions as cursor controller.

On line- functions as volume tuner in hands-free mode.

6.Phone Book:

Lets you store up to 100 names together with IP addresses in the memory.

7.Menu:

-1.Off-line - to enter the configuration [Menu].

-2.On-line - to adjust the display quality and speaker volume.

8.Esc:

-1. To escape from Snapshot, Channel, Privacy, Status, Phonebook, Call history, and the calling prompt.

-2.When doing setup in the menu, as long as the changed items haven't been confirmed by pressing the [Enter] button, user can escape without saving the changed items by pressing the [Esc] button.

-3.To quit the menu after new setup is done

9. Speaker/ Replay:

-1.Can avoid using the earphone to answer a call

-2. Replay sets aside out electricity recently

10.Enter:

To confirm the selection or to start the connection.

11. Snapshot:

Capture the remote still image

12.Channel:

Switch video and audio sources between build-in camera and external ones.

13.Privacy:

Block on-line local video and audio

14. Window:

Switch the view of remote and local images.

15. Videophone:

Full videophone function

16.IP Phone:

Functions as an IP Phone – only voice can be transmitted.

17. Call History:

The LED flashes whenever a call is unanswered.

18. 【 * 】 :

Functions as "." - the same as the 【 * 】 on the keypad.

19. 【 . 】 :

Functions as "Delete" or "Backspace".

20. Keyboard:

Input digit and English

SunComm **Technology Co., Ltd.**

Tel: 886-2-32341496

Fax: 886-2-32341393

E-mail: sun.comm@msa.hinet.net

Website: www.suncomm.com.tw
